



Westinghouse

ALUMINUM

○ ○ ○ Reflector CFL PAR

Lamp Specifications PAR 38

Technical Data

Watts	23
Volts	120
Lumens	1200
Average Rated Hours	8000
CRI	82
Beam Angle	WFL
CIE Chromaticity	x.463, y.426*
Efficacy (LPW)	52

* Based on 3000K

Physical Characteristics

Finish	Clear
Base	Standard
MOL	5 3/8"

Ordering Information

36691 - 3000K	23CFLPAR38/30/AR
36697 - 4100K	23CFLPAR38/41/AR
36698 - 5000K	23CFLPAR38/50/AR

Operating Position

Universal - Open or Enclosed PAR Style Luminaires

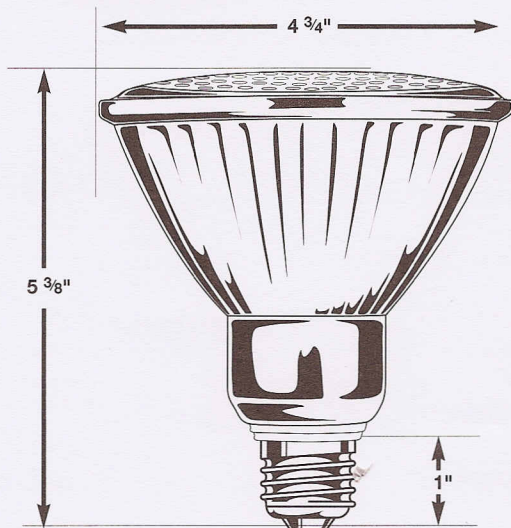
Note:

This product is not intended for use with emergency or exit fixtures. DO NOT USE WITH DIMMERS, PHOTOCONTROLS OR ELECTRIC TIMERS. Enclosed fixture is required for outdoor use. NOTE: This product may cause interference with radios, televisions, telephones or remote controls. If interference occurs, move this product away from device or plug into another outlet.

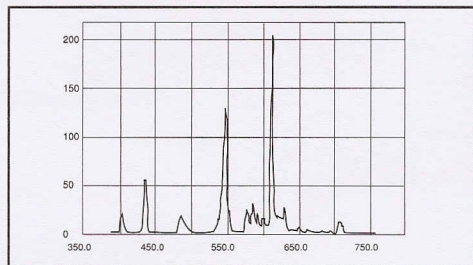


Contains mercury. Dispose of according to local, state or federal laws. For more information, go to www.lamprecycle.org or call 1-888-417-6222.

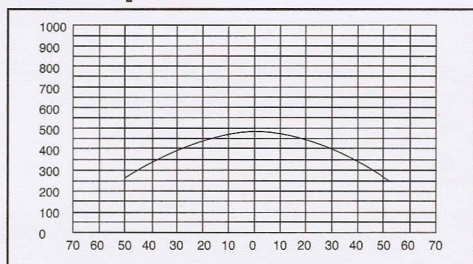
Dimensions



Spectral Distribution*



Beam Spread



Call 1-800-999-2226 EST/CST, 1-800-421-3433 PST/MST, or log on at www.westinghouselightbulbs.com

Westinghouse Lighting Corporation, Philadelphia, PA 19154-1029, U.S.A. Westinghouse Lighting Corporation, a Westinghouse Electric Corporation licensee

© "Westinghouse" and "You can be sure...if it's Westinghouse" are all registered trademarks of Westinghouse Electric Corporation

You can be sure...if it's Westinghouse

