



Westinghouse



ECOMAX® T8 SERIES

GENERAL AREA FLUORESCENT HIGH BAY FIXTURES

FEATURES

- Fixture shipped with lamps installed and reflectors pre-peeled
- Rotary lock lamp holders
- Easy access plate for field wiring
- Low 3.375" profile
- One-for-one 400 watt Metal Halide replacement
- Program rapid start with instant re-strike
- 95% lumen maintenance

BENEFITS

- Significant time saving installing fixture
- Holds lamp securely in place
- Easy to install
- Fits close to ceiling
- Saves 50% or more in energy costs
- Instant-on after power interruption
- Superior lumen maintenance over the entire rated life plus improved color rendition

SPECIFICATIONS

Construction: Post-painted, powder-coated, die-formed aluminum body. Fully accessible wiring access plate allows for quick and easy wiring. UL/CUL listed.

Reflector: Proprietary design; 95% anodized specular aluminum delivers maximum usable light.

Ballast: 120-277 volt, 90C rated, programmed rapid start.

Mounting: Ideally suited for chain mounting, "V" hooks included. Optional CS 18/3 120-277 volt cord set available (product # 32120).

WESTINGHOUSE LIGHTING WARRANTY

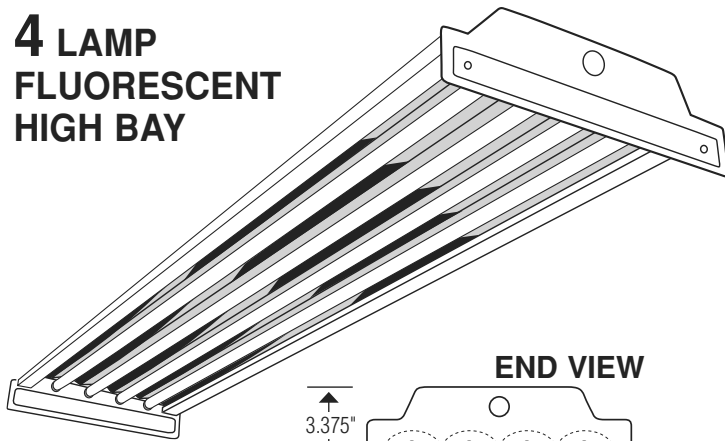
Fixture warranted for one year against defects in manufacturing.
Ballasts used are those of recognized responsible manufacturers that carry ballast manufacturers' warranty.
Lamp warranty: 2 year warranty (based on continuous usage for up to 12 hours per day).

You can be sure...if it's Westinghouse 

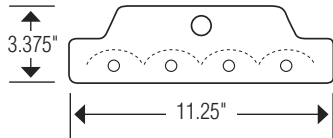


ECOMAX® T8 SERIES

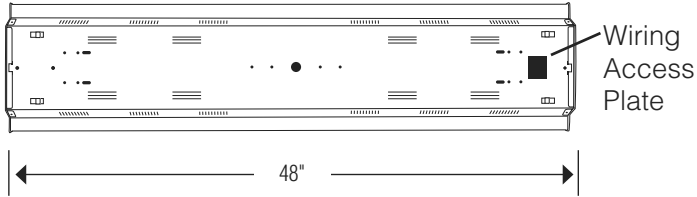
**4 LAMP
FLUORESCENT
HIGH BAY**



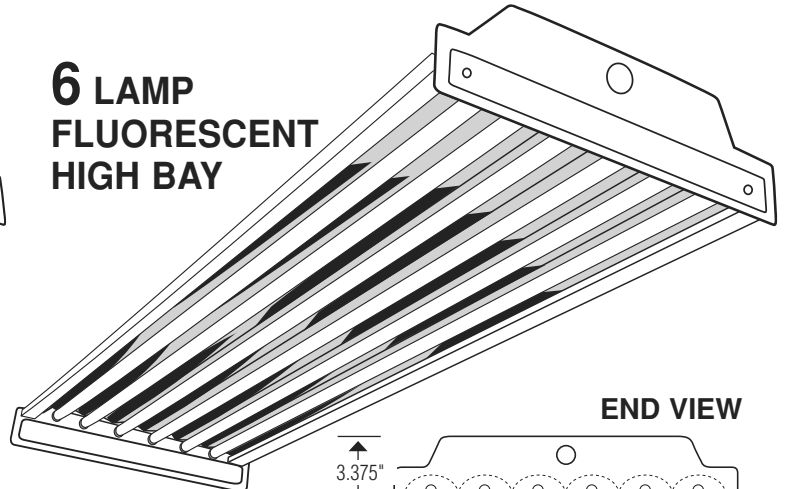
END VIEW



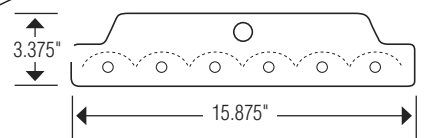
TOP VIEW



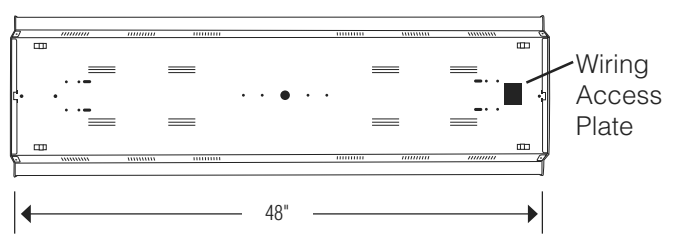
**6 LAMP
FLUORESCENT
HIGH BAY**



END VIEW



TOP VIEW



LUMINAIRE SPACING CRITERIA

CIE Type:	Direct	
Plane:	0-DEG	90-DEG
Spacing Criteria:	1.3	1.4
Fixture Efficiency:	87.5%	
LTL Test #:	11944	

ORDERING INFORMATION

WLC Product#	Series	Fixture Length	# of Lamps	Lamp Type	Lamp Kelvin	Reflector Type	Ballast Voltage
32114	ECO	4	4	T832	841	G	UNV
32116	ECO	4	4	T832	850	G	UNV
32115	ECO	4	6	T832	841	G	UNV
32117	ECO	4	6	T832	850	G	UNV

FIXTURE LENGTH

4 = 48"

REFLECTOR TYPE

G = General Area

LAMP TYPE (INCLUDED)

T8 = 32W, 4100K
T8 = 32W, 5000K

BALLAST VOLTAGE (Specify)

UNV = 120-277V (Universal)

PRODUCT #32120 HIGH BAY CS 18/3 120-277 VOLT CORD SET AVAILABLE



Call 1-800-999-2226 EST/CST, 1-800-421-3433 PST/MST, or log on at www.westinghouselightbulbs.com

Westinghouse Lighting Corporation, Philadelphia, PA 19154-1029, U.S.A. Westinghouse Lighting Corporation, a Westinghouse Electric Corporation licensee
© "Westinghouse" and "You can be sure...if it's Westinghouse" are all registered trademarks of Westinghouse Electric Corporation

You can be sure...if it's Westinghouse